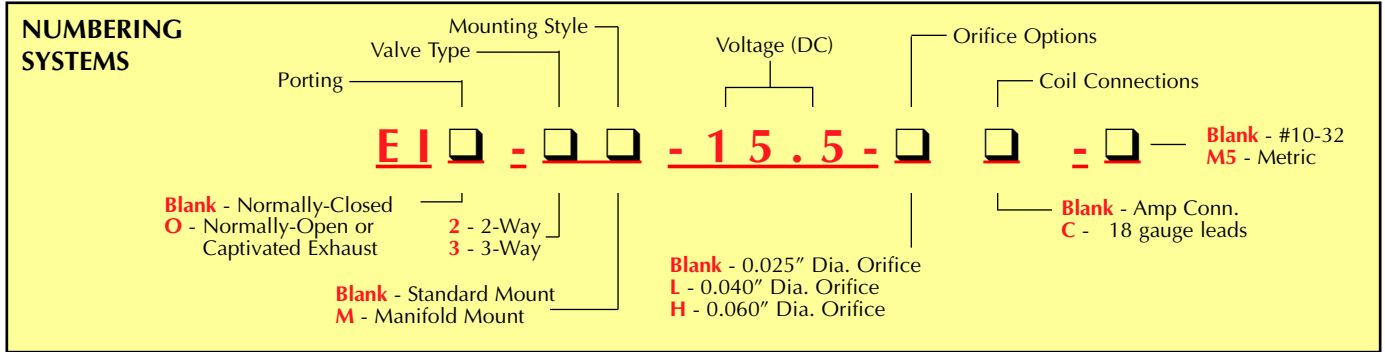




# EI, EIO INTRINSICALLY SAFE VALVES



## Increase Flow

**High Flow Valves** Models [2020](#) and [2021](#) high flow valves are piloted 3-way valves that work with EI/EIO intrinsically safe valves as well as EV/ET 3-way valves. They are designed to be mounted on EI/EIO manifold valves. Outputs from the EI/EIO will actuate the valve and produce outputs up to 22 scfm at 100 psig. Piloted 3-way valves are also available as [R-481](#) and [R-482](#).

**EVB Booster Valve** Clippard EVB-3 booster valve mates with manifold mounted EI/EIO valves and manifolds to provide increased flow. Direct piloting from Clippard EI/EIO valves provides a flow of up to 6.1 scfm at 100 psig.

## What is Intrinsic Safety?

An intrinsically safe system is one in which all electrical devices and their associated circuits are designed such that they can neither arc nor spark with sufficient energy to ignite the hazardous substances around which they are being used. Put another way, the energy stored from the inductance of the circuit components must be unable to generate a spark or arc at the circuits open point during current circulation that is capable of igniting the hazardous materials present when they are in a fuel/air mixture that is most favorable for ignition.

## What is Entity approval?

According to INTRINSIC SAFETY standards, there is no requirement for authorized laboratory certification of system-wide intrinsic safety if the designer can determine, with certainty, that the physical and electrical parameters of every system component has been met sufficient to ensure that system-wide intrinsic safety has been maintained.

An "Entity Approval" is documentation stating that a device is intrinsically safe in specified hazardous atmospheres if the stated physical and electrical conditions contained in the approval are met. By meeting the requirements of "Entity Approvals" on all components of a system, the designer can more easily document that system-wide intrinsic safety has been maintained.

The Clippard EI-EIO series valves hold the Entity Approvals listed and supporting documentation is available to our customers.